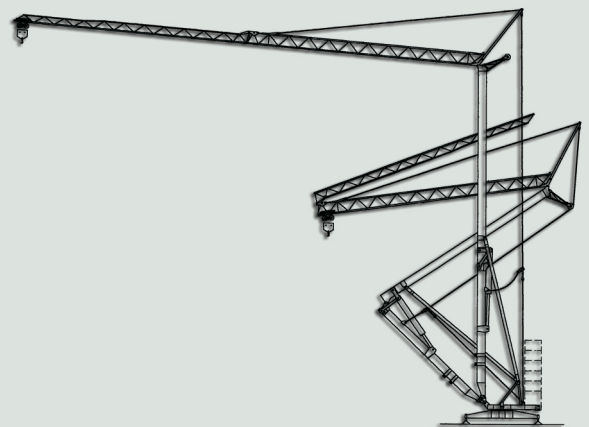


HRD 36 10

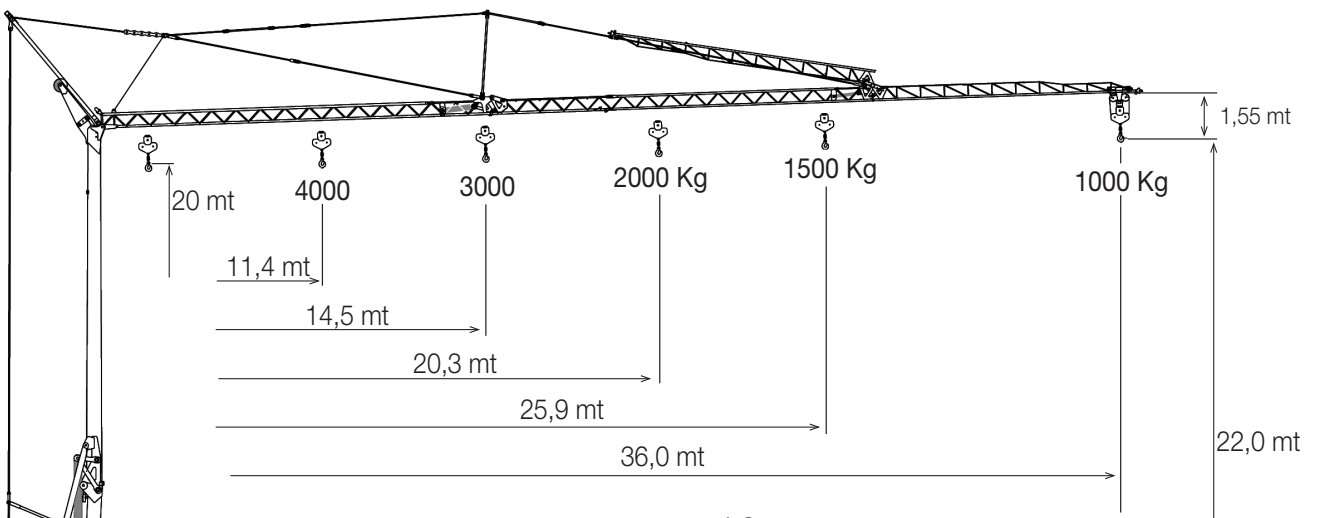
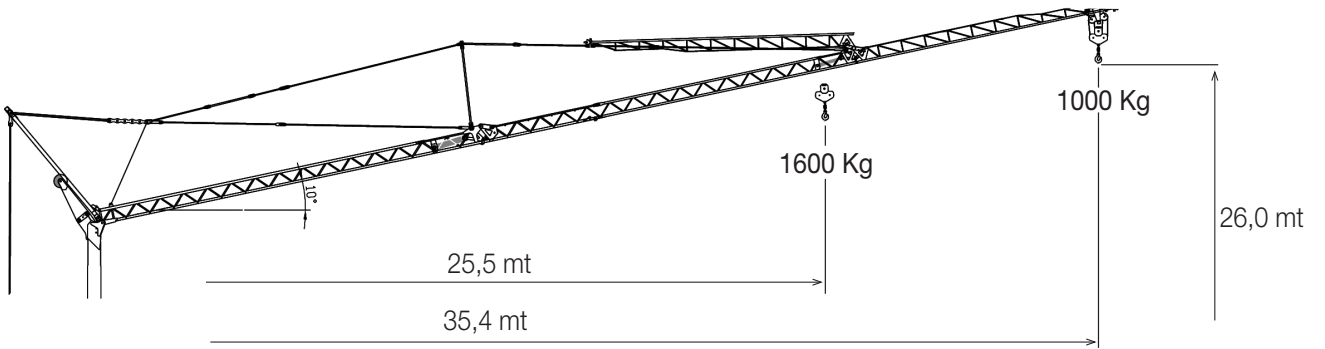
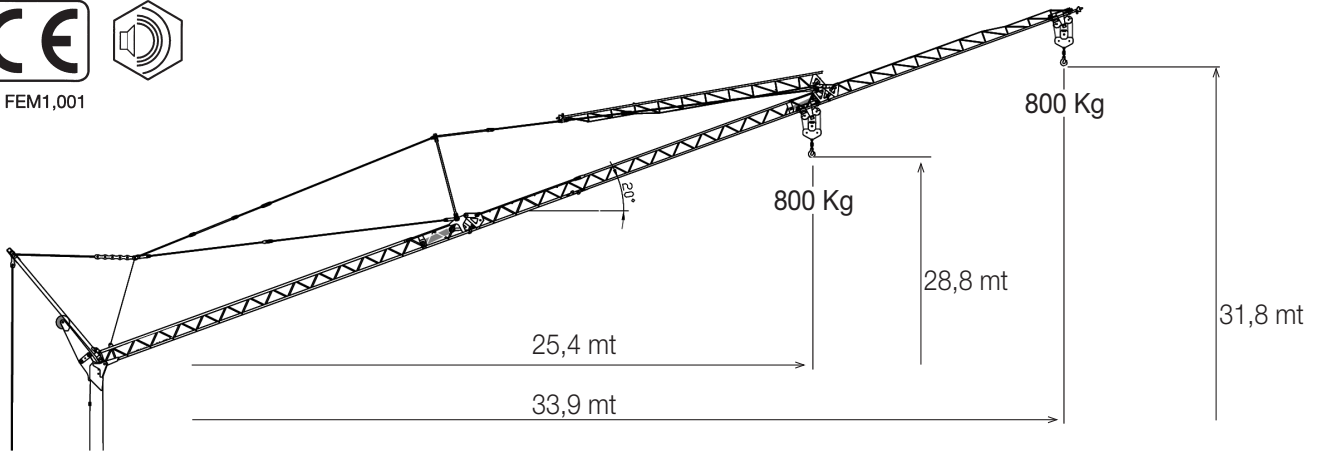
*Gru automontante
Self erecting crane
Schenllmontage kran
Grue montage rapide*



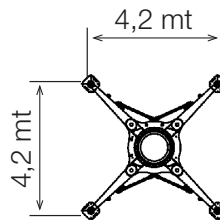
RDLIFT



A3 FEM1,001



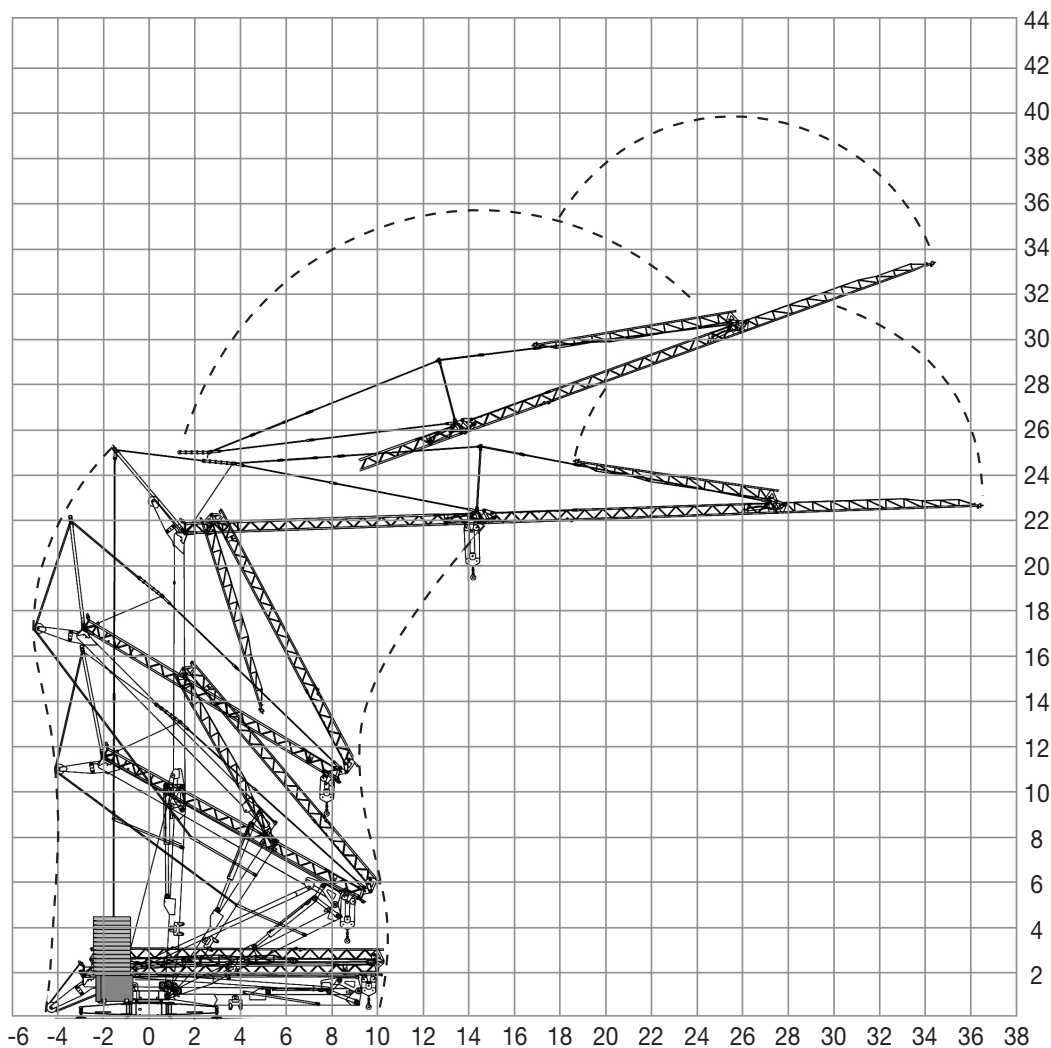
R = 30,00 da N



Curve di carico - Load curves

		mt	11,4	12	14,5	16	18	20	22	24	26	28	30	32	34	36
		Kg			3000	2670	2320	2046	1825	1644	1493	1364	1254	1158	1074	1000
		mt	11,4	12	14	16	18	20	22	24	26	28	30	32	34	36
		Kg	4000	3776	3134	2670	2320	2046	1825	1644	1493	1364	1254	1158	1074	1000

Ingombro in montaggio - Space requirement



Pesi - Weight

Peso della gru senza assali
 Dead weight without axles **15.500 Kg**

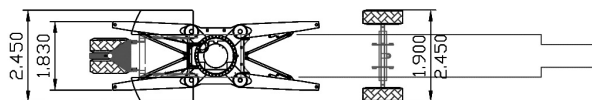
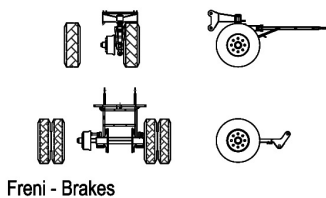
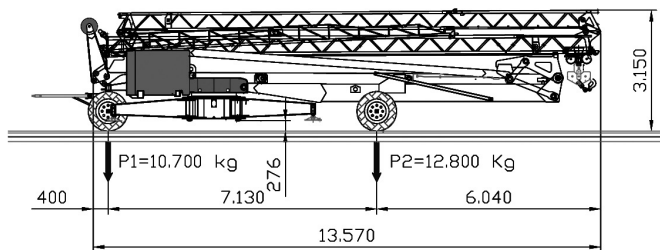
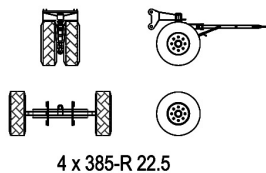


8.000 Kg
 +
16.900 Kg

Velocità - Speed

	50 Hz	Kw	m/min 8	m/min 20	m/min 46	m/min 56
	380 V	11	kg 3000	Kg 3000	Kg 1200	Kg 800
		Kw	m/min 8-4	m/min 20-10	m/min 46-23	m/min 56-28
	380 V	11	kg 2000-4000	kg 2000-4000	Kg 1200-2400	Kg 800-1600

		m/min	Kw	cv
		16,0		
		26,0	3	4
		36/48,7		
		0,30		
		0,60	3	4
		0,85		

Trasporto - Transport**RDLIFT****RDLIFT srl**

Via Emilia San Pietro, 25

42100 Reggio Emilia - Italy

Tel. +39 0522 448511 - Fax +39 0522 448540

commerciale@rdlift.com

www.rdlift.com

Dati illustrativi non impegnativi
con riserva di modifica senza
preavviso.

Specifications and data not
binding subject to modification without
notice.

Angaben und Beschreibung
unverbindlich andreungen
vorbehalten ohne weitere mitteilung.

Données techniques seulement
indicatives modifications réservées
sans préavis

Agente - Dealer